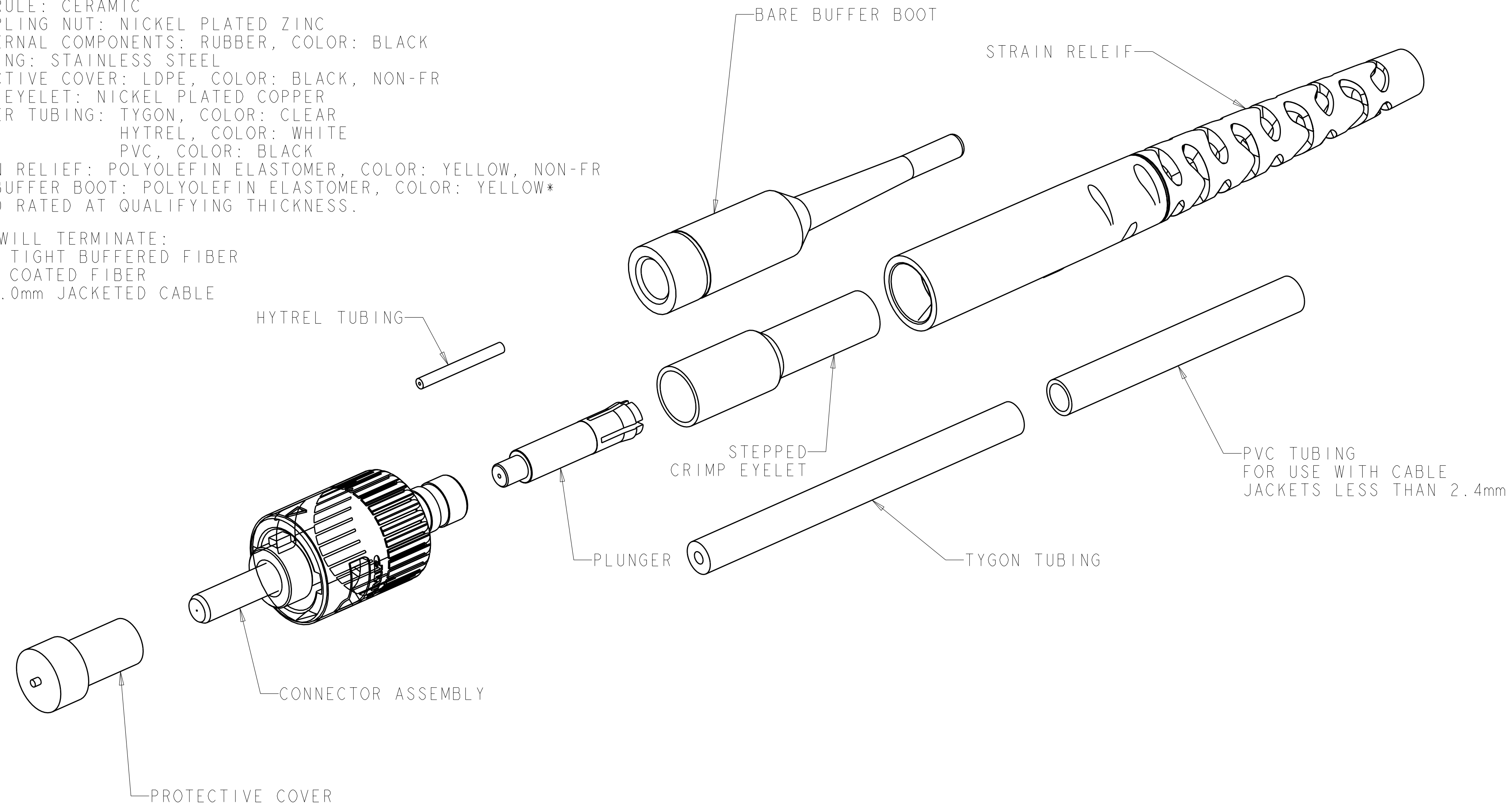


THIS DRAWING IS UNPUBLISHED. RELEASED FOR PUBLICATION 20  
 © COPYRIGHT 20 BY TYCO ELECTRONICS CORPORATION. ALL RIGHTS RESERVED.

LOC	DIST	REVISIONS			
P	LTR	DESCRIPTION	DATE	DWN	APVD
CE	00	A	RELEASE TO ACTIVE	08JUN2006	BB LS

**MATERIAL:**  
**CONNECTOR ASSEMBLY:**  
 REAR BODY: ALUMINUM ALLOY  
 PLUNGER: ALUMINUM ALLOY  
 FERRULE: CERAMIC  
 COUPLING NUT: NICKEL PLATED ZINC  
 INTERNAL COMPONENTS: RUBBER, COLOR: BLACK  
 SPRING: STAINLESS STEEL  
 PROTECTIVE COVER: LDPE, COLOR: BLACK, NON-FR  
 CRIMP EYELET: NICKEL PLATED COPPER  
 POLYMER TUBING: TYGON, COLOR: CLEAR  
                   HYTREL, COLOR: WHITE  
                   PVC, COLOR: BLACK  
 STRAIN RELIEF: POLYOLEFIN ELASTOMER, COLOR: YELLOW, NON-FR  
 BARE BUFFER BOOT: POLYOLEFIN ELASTOMER, COLOR: YELLOW\*  
 \*UL94 V-0 RATED AT QUALIFYING THICKNESS.

2. THIS KIT WILL TERMINATE:  
 900um TIGHT BUFFERED FIBER  
 250um COATED FIBER  
 2.0-3.0mm JACKETED CABLE



0.8-1.0mm	5504000-1
BUFFER SIZE	PART NUMBER

THIS DRAWING IS A CONTROLLED DOCUMENT FOR TYCO ELECTRONICS CORPORATION. IT IS SUBJECT TO CHANGE AND THE CONTROLLING ENGINEERING ORGANIZATION SHOULD BE CONTACTED FOR THE LATEST REVISION.		DWN B. BRIGGS 02DEC2005	Tyco Electronics Harrisburg, PA 17105-3608	
DIMENSIONS: mm		CHK L. SAUERWEIN 02DEC2005	NAME CONNECTOR KIT, XTC, 125um, CERAMIC, SINGLEMODE	
TOLERANCES UNLESS OTHERWISE SPECIFIED: 0 PLC ± 1 PLC ± 2 PLC ± 3 PLC ± 4 PLC ± ANGLES ± FINISH		APVD S. BUCHTER 02DEC2005	RESTRICTED TO	
MATERIAL		PRODUCT SPEC	SIZE A200779	DRAWING NO C-5504000
-		APPLICATION SPEC	SCALE 5:1 SHEET 1 OF 1 REV A	
-		WEIGHT	CUSTOMER DRAWING	